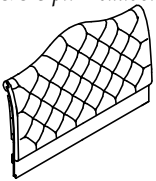








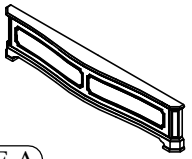
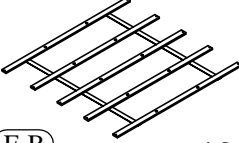
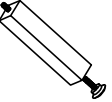

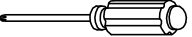
**Warning :**

- Be sure to check all packing material carefully for small parts, which may have come loose inside the carton during shipment.
- To prevent possible scratches and damage, this furniture **MUST BE ASSEMBLED BY TWO PEOPLE** on a soft surface such as a blanket or carpet.

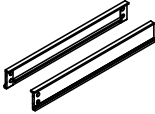


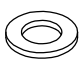

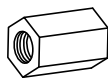

**Hardware and Parts packed with the Headboard**

<p><b>44284 --6/6 Uph Headboard</b></p>  <p>(H-A) 1 pc.</p>	<p>Headboard Post (Left)</p>  <p>(H-B) 1 pc.</p>	<p>Headboard Post (Right)</p>  <p>(H-C) 1 pc.</p>		
<p>ø5/16"x18 x1- 3/4" Allen Head Bolt</p>  <p>(H-D) 10 pcs.</p>	<p>ø5/16" Spring Washer</p>  <p>(H-E) 10 pcs.</p>	<p>ø5/16" x 19*2mm Flat Washer</p>  <p>(H-F) 10 pcs.</p>	<p>5mm Allen Key</p>  <p>(H-G) 1 pc.</p>	

**Hardware and Parts packed with the Footboard**

<p><b>44285--6/0-6/6 Footboard</b></p>  <p>(F-A) 1 pc.</p>	<p>Wood Slat 79-1/2" long</p>  <p>(F-B) 1 Set.</p>	<p>Slat Support Leg (D) 5-3/4" x (W)1- 1/4"x (H) 1- 1/4"</p>  <p>(F-C) 10 pcs.</p>	<p>#8 x 1" Wood Screw</p>  <p>(F-D) 10 pcs.</p>	<p>Screw Driver not included</p> 
--	--	---	--	--

**Hardware and Parts packed with the Bed Rail**

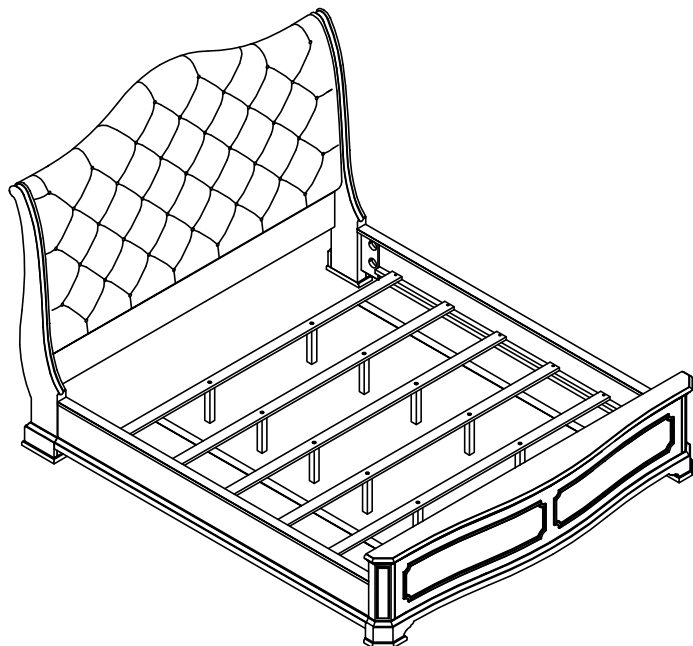
<p><b>44276--5/0-6/6 Side Rails</b></p>  <p>(R-A) 2 pcs.</p>	<p>ø5/16 x18 x3-1/2" All-Thread Bolt</p>  <p>(R-B) 8 pcs.</p>	<p>ø5/16" Curved Washer</p>  <p>(R-C) 8 pcs.</p>	<p>ø5/16" x 16*2mm Flat Washer</p>  <p>(R-D) 8 pcs.</p>	<p>ø5/16" Spring Washer</p>  <p>(R-E) 8 pcs.</p>	<p>ø5/16 x L17 Nut</p>  <p>(R-F) 8 pcs.</p>	<p>Open Wrench 12mm</p>  <p>(R-G) 1 pc.</p>
---	--	---	--	--	--	--

**King Bed**

**44284--6/6 Uph Headboard**

**44285--6/0-6/6 Footboard**

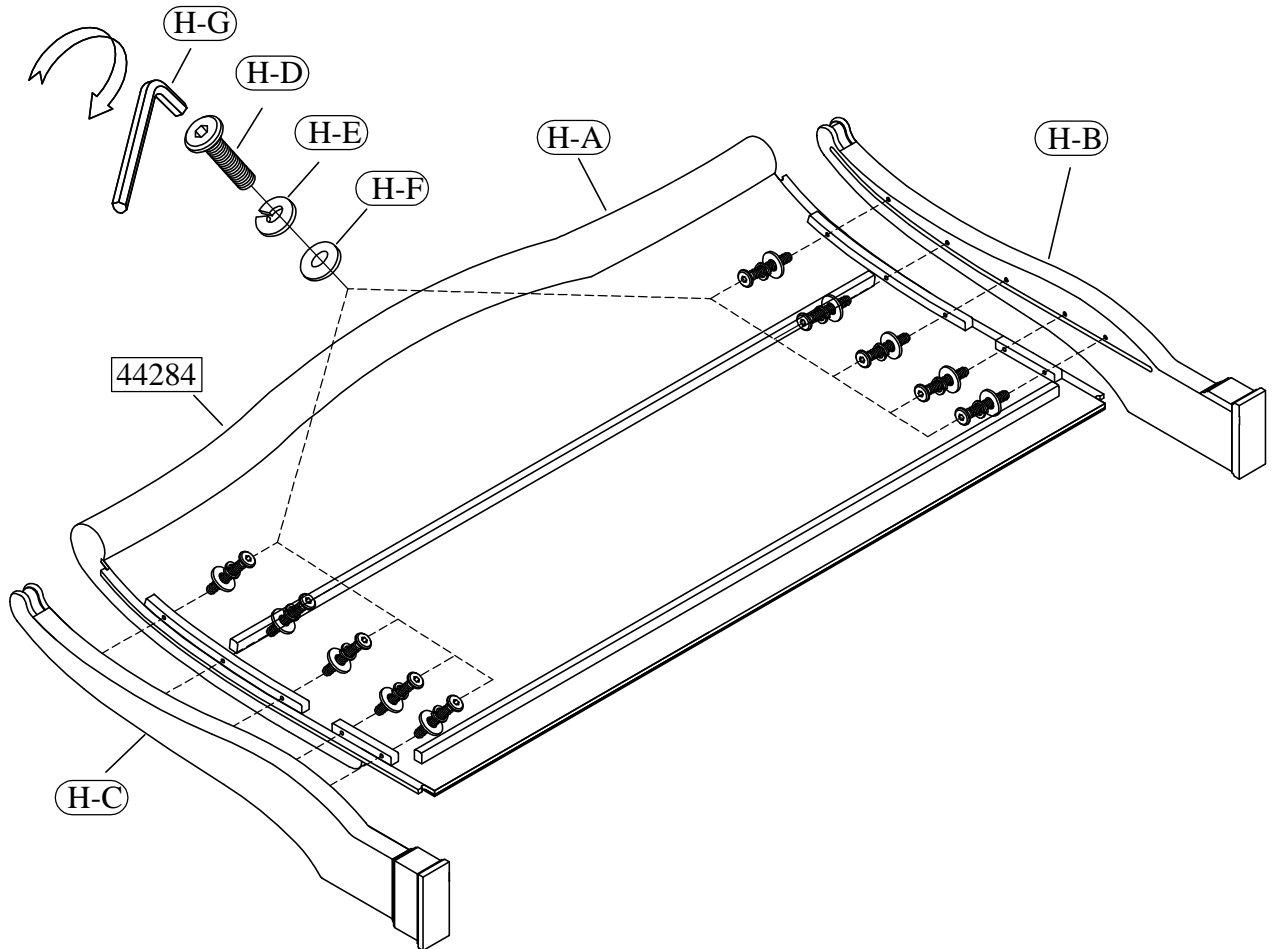
**44276--5/0-6/6 Side Rails**



**King Bed**

**44284 --6/6 Uph Headboard**

**STEP 1**

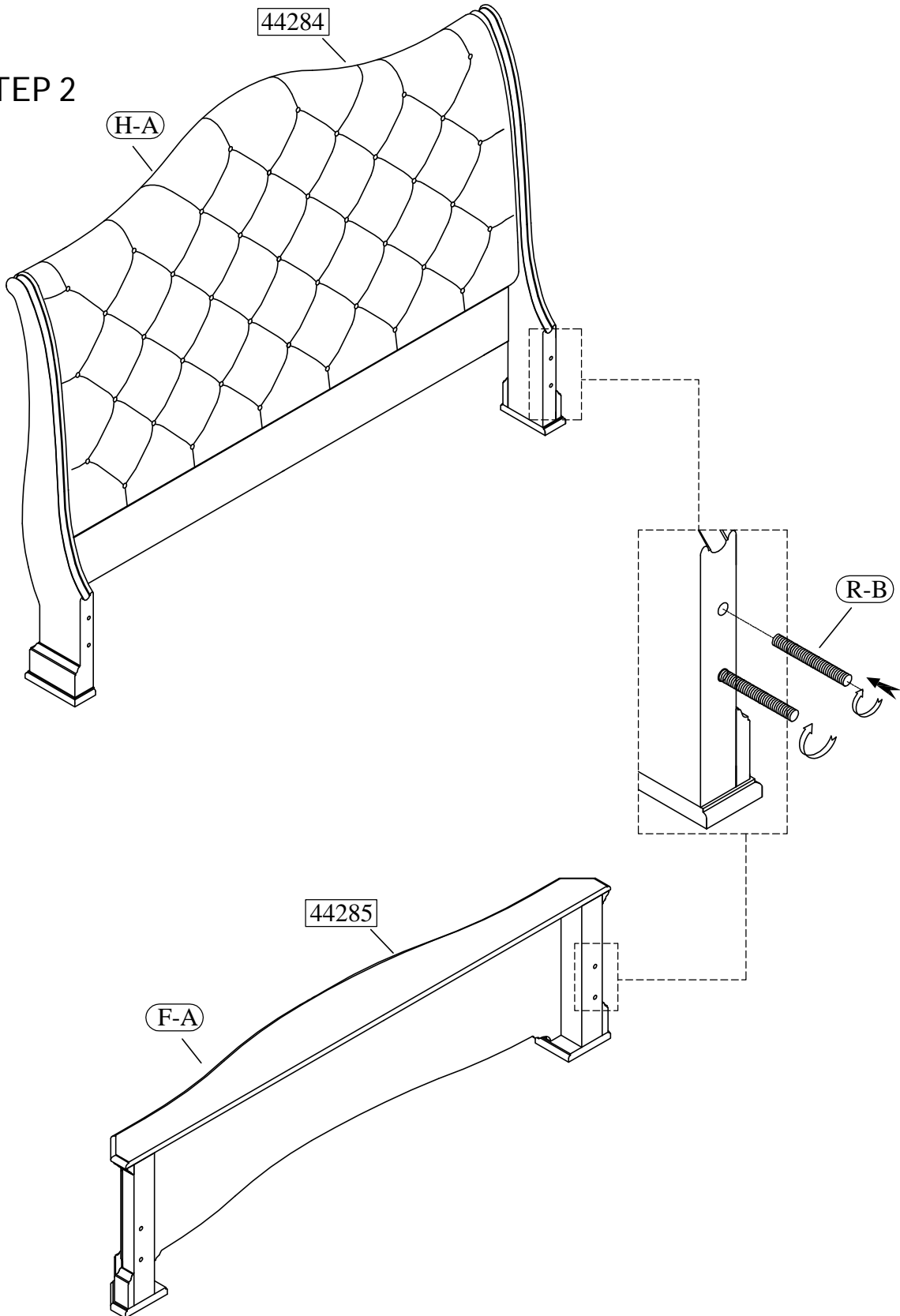


King Bed

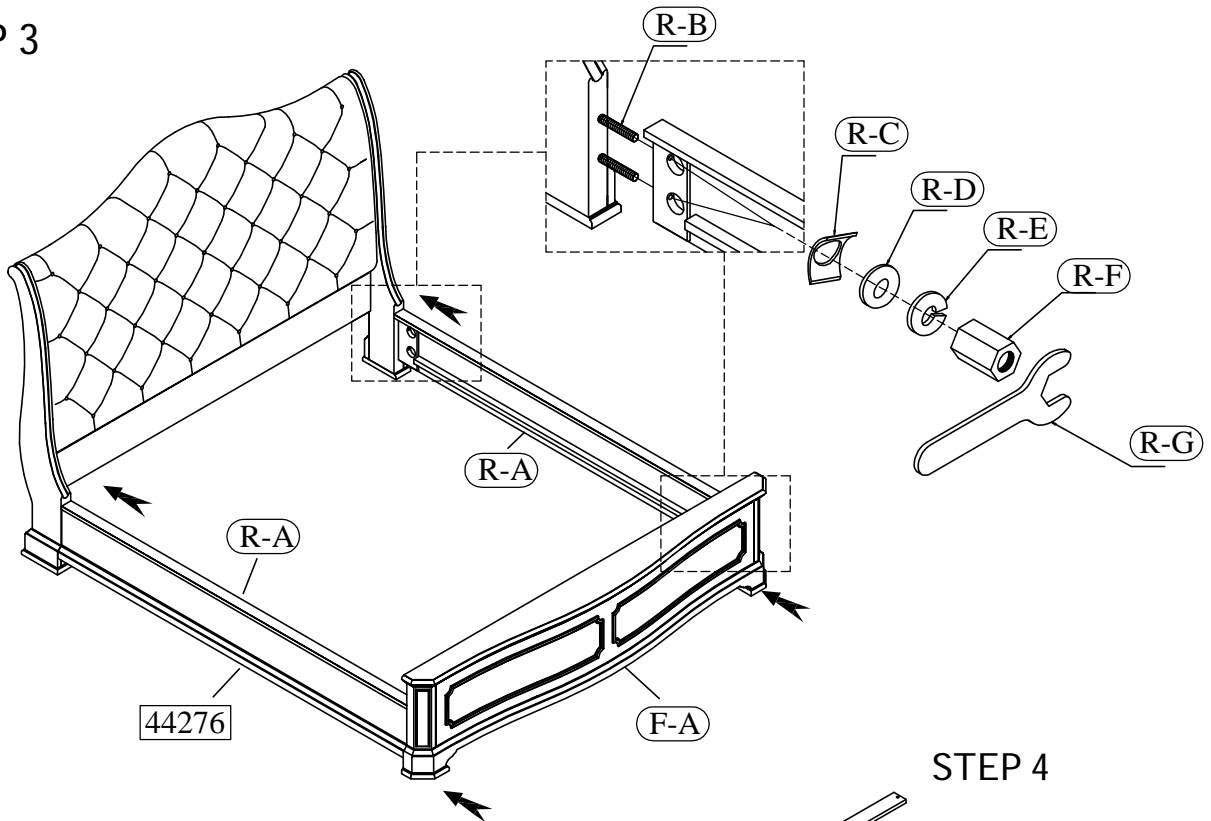
**44284 --6/6 Uph Headboard**

**44285--6/0-6/6 Footboard**

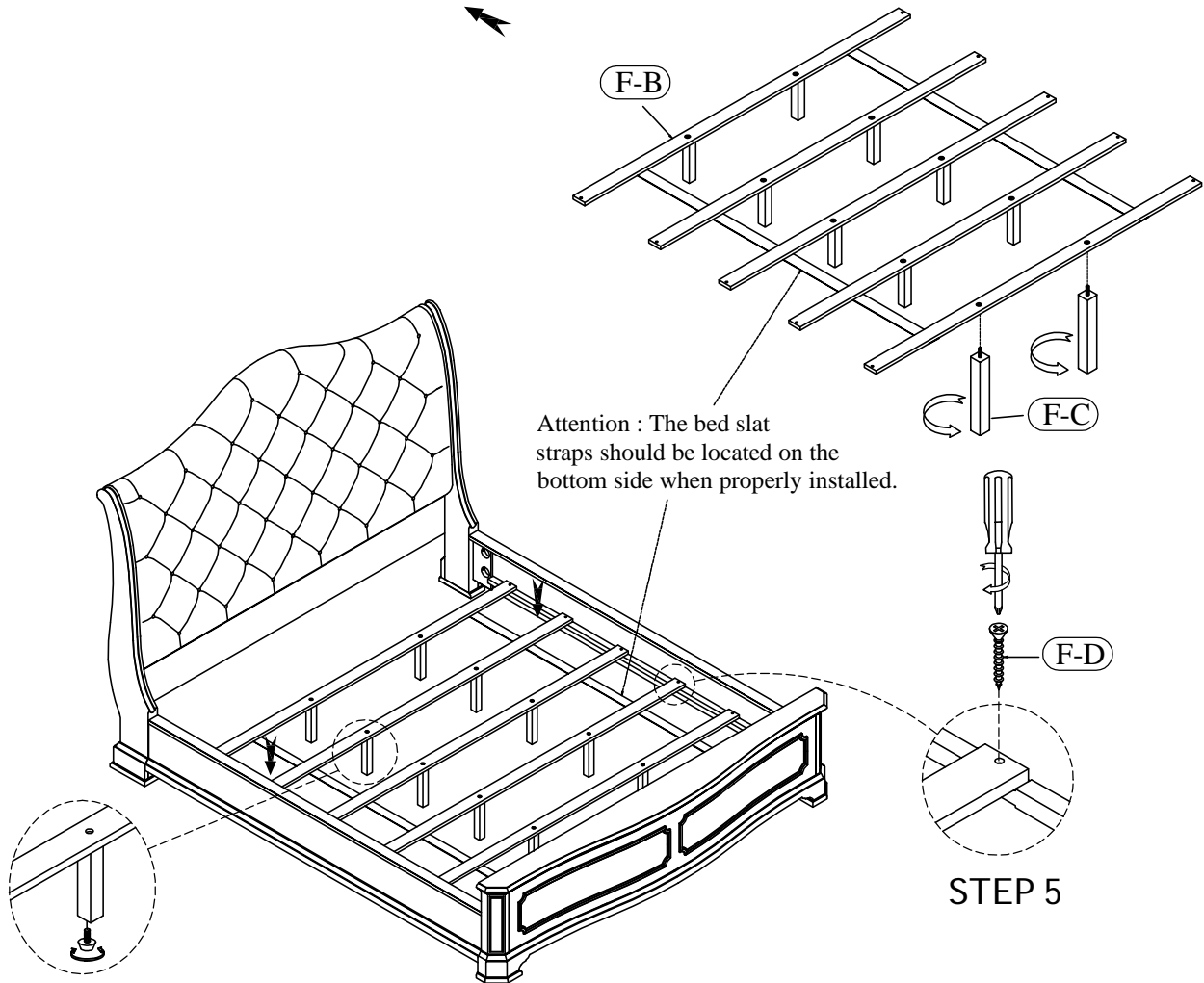
**STEP 2**



STEP 3



STEP 4

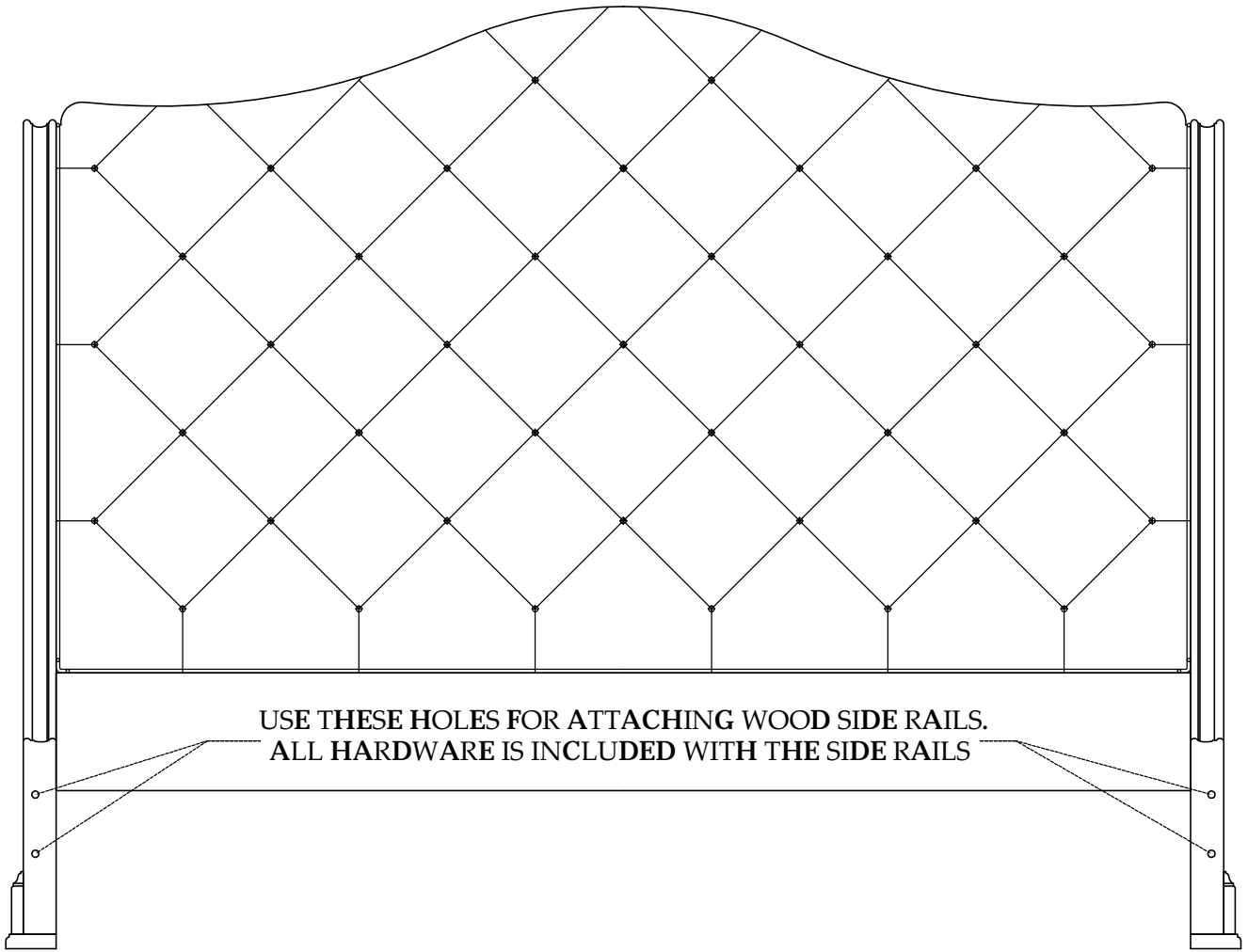


STEP 5

Adjustable Leveler

**King Bed**

**44284 --6/6 Uph Headboard**



**USE THESE HOLES FOR ATTACHING WOOD SIDE RAILS.  
ALL HARDWARE IS INCLUDED WITH THE SIDE RAILS**